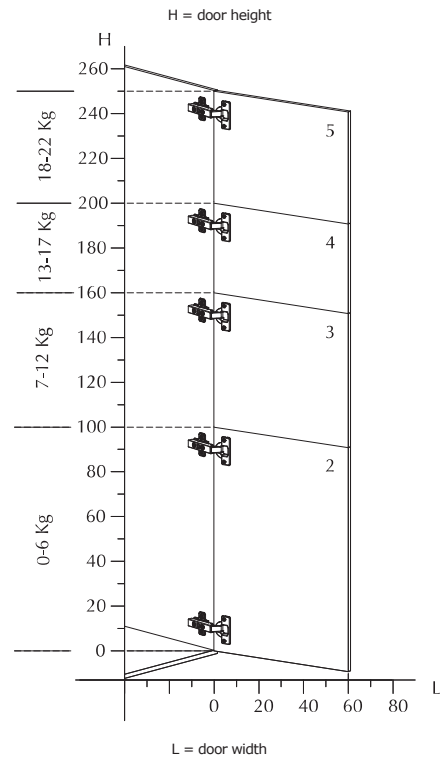


# MS Slide-On



## Mounting System



**1** Place the rear part of the hinge on the front side of the mounting plate.

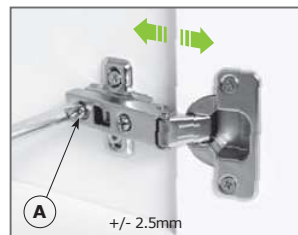


**2** Let the hinge slide on the mounting plate until it stops.

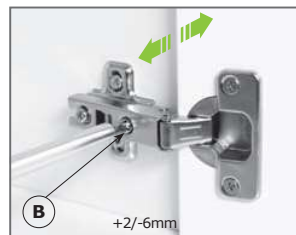


**3** Tighten the connecting screw.

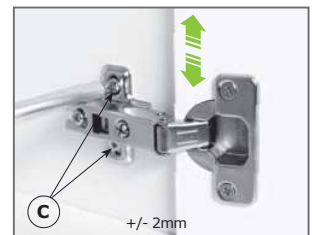
## Adjusting System



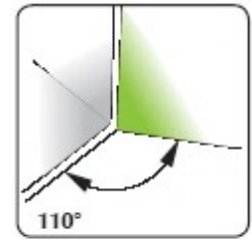
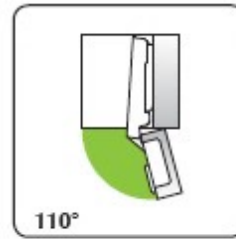
**Front adjustment**  
Acting on the "A" screw it is possible to adjust the distance between the side of the cabinet and the door.



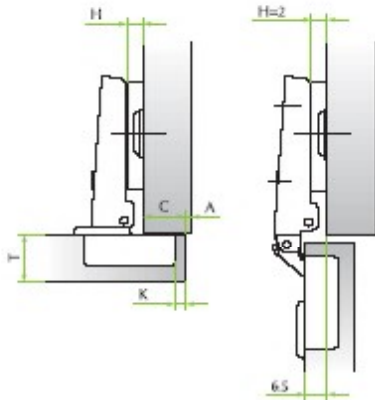
**Independent side adjustment**  
Acting on the "B" screw it is possible to change the amount of the door covering on the side of the cabinet.



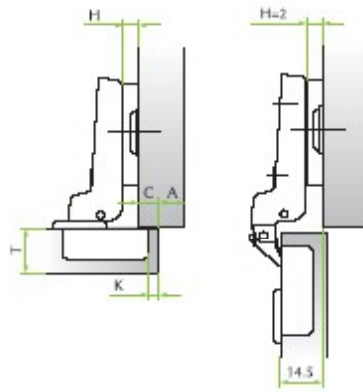
**Vertical adjustment**  
Acting on the "C" screw of the mounting plate it is possible to adjust the door vertically.



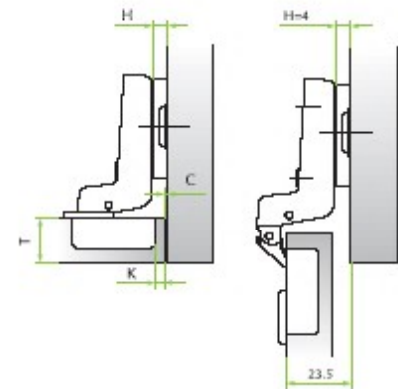
**CRANK 0**  
For lay-on doors



**CRANK 8**  
For partial lay-on doors



**CRANK 15**  
For inset doors



		Drilling distance (K)						
		3	4	5	6	7		
Overlay (C)	19			0	2			
	18		0	2				
	17	0	2	4				
	16	2	4					
	15	2	4	6				
	14	4	6					
	13	4	6					
	12	6						
	11	6						

Mounting plates (H)

		Drilling distance (K)						
		3	4	5	6	7		
Overlay (C)	11			0	2			
	10		0	2				
	9	0	2	4				
	8	2	4					
	7	2	4	6				
	6	4	6					
	5	4	6					
	4	6						
	3	6						

Mounting plates (H)

		Drilling distance (K)						
		3	4	5	6	7		
Overlay (C)	0	2	4	6				
	1	4	6					
	2	4	6					
	3	6						
	4	6						

Mounting plates (H)

Table to determinate the minimum distance A so that a door with T thickness can open without protrusion from the cabinet and without interfering with adjacent doors.

T=		16	17	18	19	20	21	22	23	24	25	26
K=3	A=	0.55	0.75	1.10	1.45	1.80	2.40	3.10	3.90	4.70	6.70	6.50
K=4	A=	0.55	0.70	1.05	1.40	1.75	2.25	2.85	3.60	4.35	5.75	6.00
K=5	A=	0.55	0.70	1.00	1.35	1.65	2.10	2.65	3.30	4.00	4.75	5.55
K=6	A=	0.50	0.70	0.95	1.25	1.60	2.00	2.50	3.05	3.70	4.40	5.20
K=7	A=	0.50	0.65	0.85	1.20	1.55	1.90	2.35	2.85	3.45	4.10	4.80