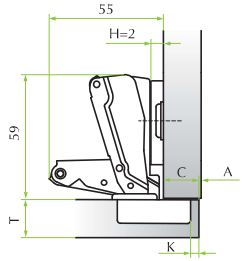
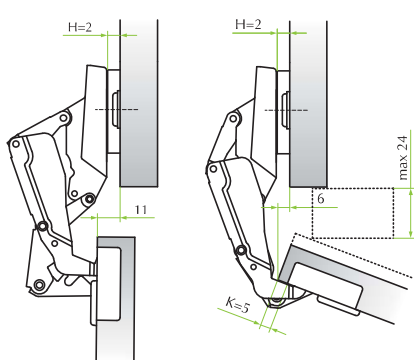
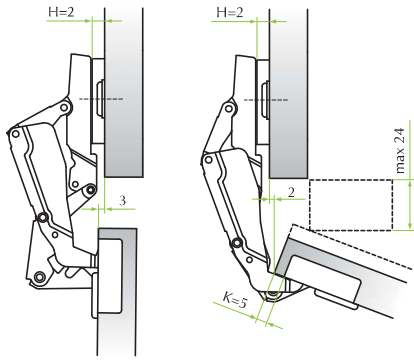
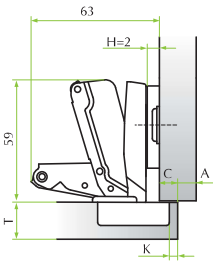


**CRANK 0**  
For lay-on doors



**CRANK 8**  
For partial lay-on doors



		Drilling distance (K)						
		3	4	5	6	7		
Overlay (C)	19		0	2				
	18	0	2					
	17	0	2	4				
	16	2	4					
	15	2	4	6				
	14	4	6					
	13	4	6					
	12	6						
11	6						Mounting plates (H)	

		Drilling distance (K)						
		3	4	5	6	7		
Overlay (C)	11		0	2				
	10	0	2					
	9	0	2	4				
	8	2	4					
	7	2	4	6				
	6	4	6					
	5	4	6					
	4	6						
3	6						Mounting plates (H)	

Table to determinate the minimum distance **A** so that a door with **T** thickness can open without protrusion from the cabinet and without interfering with adjacent doors.

T=	16	17	18	19	20	21	22	23	24	25	26
K=3 A=	0.00	0.00	0.00	0.00	0.00	0.00	0.20	0.55	6.80	8.10	13.55
K=4 A=	0.00	0.00	0.00	0.00	0.00	0.05	0.30	3.50	5.85	7.25	12.55
K=5 A=	0.00	0.00	0.00	0.00	0.00	0.05	0.30	3.55	4.90	6.25	11.55
K=6 A=	0.00	0.00	0.00	0.00	0.00	0.05	0.40	3.00	3.90	5.25	10.55
K=7 A=	0.00	0.00	0.00	0.00	0.00	0.05	1.20	2.20	3.15	4.25	9.55