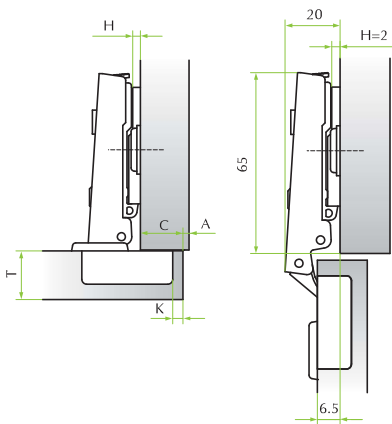
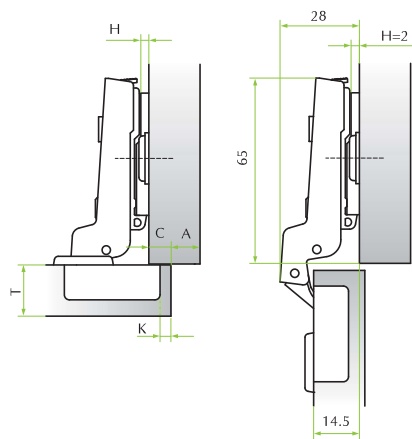


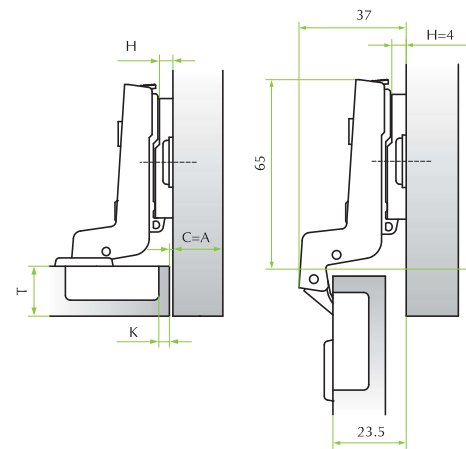
**CRANK 0**  
For lay-on doors



**CRANK 8**  
For partial lay-on doors



**CRANK 15**  
For inset doors



		Drilling distance (K)						
		3	4	5	6	7		
Overlay (C)	19					2		
	18				2			
	17		2		4			
	16	2		4				
	15	2	4		6			
	14	4		6				
	13	4	6					
	12	6						
	11	6						Mounting plates (H)

		Drilling distance (K)						
		3	4	5	6	7		
Overlay (C)	11					2		
	10				2			
	9		2		4			
	8	2		4				
	7	2	4		6			
	6	4		6				
	5	4	6					
	4	6						
	3	6						Mounting plates (H)

		Drilling distance (K)						
		3	4	5	6	7		
Overlay (C)	0	2		4		6		
	1	4		6				
	2	4	6					
	3	6						
	4	6						
								Mounting plates (H)

Table to determinate the minimum distance **A** so that a door with **T** thickness can open without protrusion from the cabinet and without interfering with adjacent doors.

T=	16	17	18	19	20	21	22	23	24	25	26
K=3 A=	0.55	0.75	1.10	1.45	1.80	2.40	3.10	3.90	4.70	6.70	6.50
K=4 A=	0.55	0.70	1.05	1.40	1.75	2.25	2.85	3.60	4.35	5.75	6.00
K=5 A=	0.53	0.70	1.00	1.35	1.65	2.10	2.65	3.30	4.00	4.75	5.55
K=6 A=	0.50	0.70	0.95	1.25	1.60	2.00	2.50	3.05	3.70	4.40	5.20
K=7 A=	0.50	0.65	0.85	1.20	1.55	1.90	2.35	2.85	3.45	4.10	4.80