

### ANGLE 90°

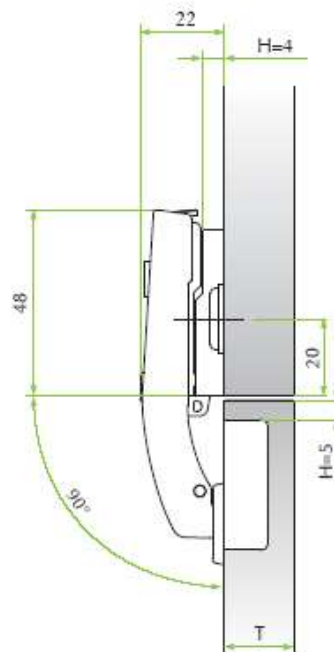


Table to determinate the minimum distance A so that a door with T thickness can open without protrusion from the cabinet and without interfering with adjacent doors.

	T=	16	17	18	19	20	21	22	23	24	25	26
K=3	A=	0.55	0.75	1.10	1.45	1.80	2.40	3.10	3.90	4.70	6.70	6.50
K=4	A=	0.55	0.70	1.05	1.40	1.75	2.25	2.85	3.60	4.35	5.75	6.00
K=5	A=	0.53	0.70	1.00	1.35	1.65	2.10	2.65	3.30	4.00	4.75	5.55
K=6	A=	0.50	0.70	0.95	1.25	1.60	2.00	2.50	3.05	3.70	4.40	5.20
K=7	A=	0.50	0.65	0.85	1.20	1.55	1.90	2.35	2.85	3.45	4.10	4.80

Values given in mm

