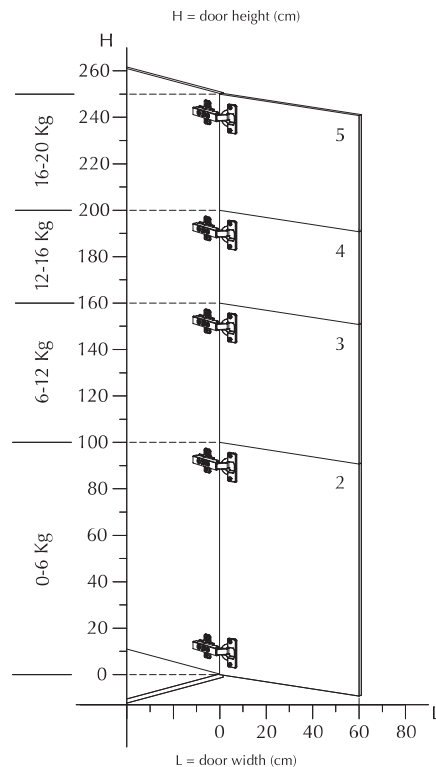
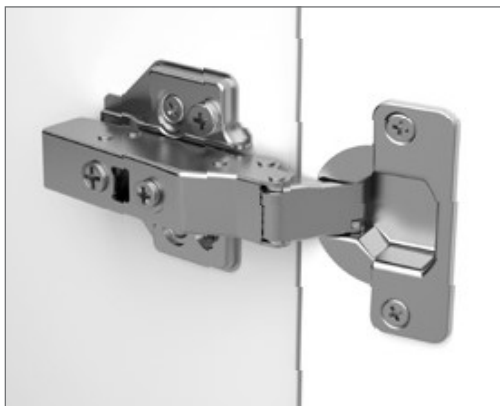
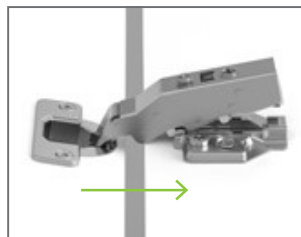


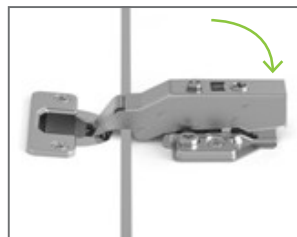
# Integrated Hinges



## Mounting System



**1** Place the front part of the hinge on the front side of the mounting plate.

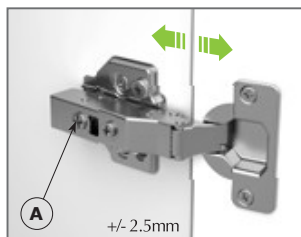


**2** Rotate the arm of the hinge.

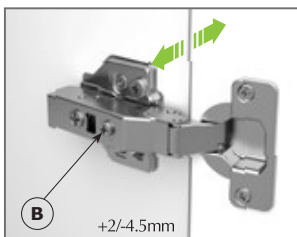


**3** Press down the rear part of the hinge to Click on.

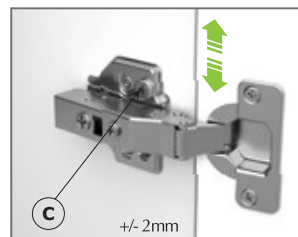
## Adjusting System



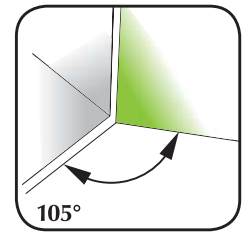
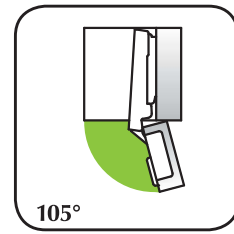
**Depth adjustment**  
Acting on the "A" screw it is possible to adjust the distance between the side of the cabinet and the door.



**Independent side adjustment**  
Acting on the "B" screw it is possible to change the amount of the door covering on the side of the cabinet.



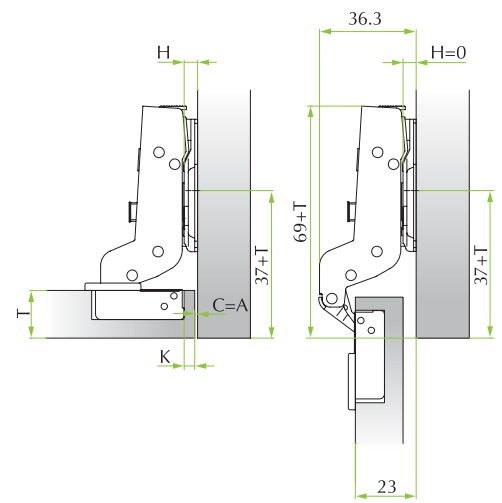
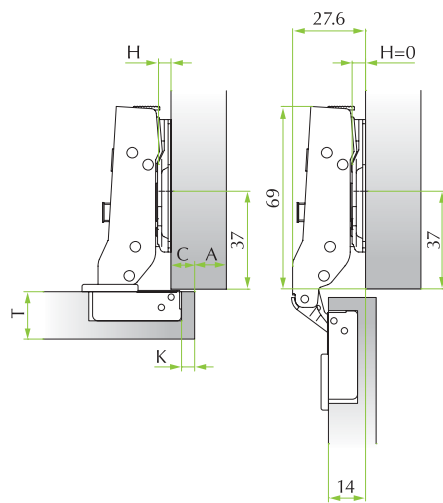
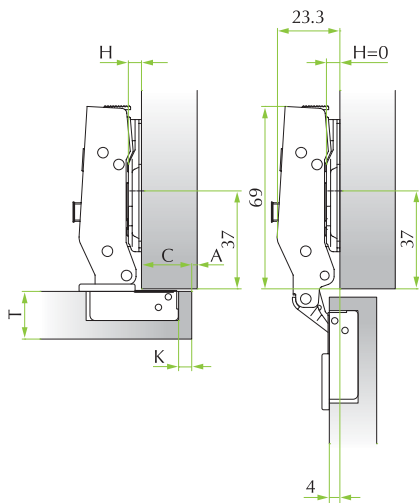
**Vertical adjustment**  
Acting on the "C" screw of the mounting plate it is possible to adjust the door vertically.



**CRANK 0**  
For lay-on doors

**CRANK 8**  
For partial lay-on doors

**CRANK 15**  
For inset doors



Overlay (C)	Drilling distance (K)						
	3	4	5	6	7		
21					0		
20				0			
19			0	2			
18	0		2				
17	0	2	4				
16	2	4					
15	2	4					
14	4						
13	4						Mounting plates (H)

Overlay (C)	Drilling distance (K)						
	3	4	5	6	7		
11					0		
10				0			
9			0	2			
8	0		2				
7	0	2	4				
6	2	4					
5	2	4					
4	4						
3	4						Mounting plates (H)

Overlay (C)	Drilling distance (K)						
	3	4	5	6	7		
4	2						
3	2						
2	0	2					
1	0	2					
0	0	2					
							Mounting plates (H)

Table to determinate the minimum distance **A** so that a door with **T** thickness can open without protrusion from the cabinet and without interfering with adjacent doors.

	T=	16	17	18	19	20	21	22	23	24	25	26
K=3	A=	0.9	1.1	1.5	1.8	2.3	2.8	3.6	4.3	5.2	6.0	6.9
K=4	A=	0.8	1.1	1.4	1.8	2.2	2.7	3.3	4.0	4.7	5.5	6.5
K=5	A=	0.8	1.0	1.3	1.7	2.1	2.5	3.1	3.7	4.4	5.1	5.9
K=6	A=	0.8	1.0	1.3	1.6	2.0	2.4	2.9	3.5	4.1	4.8	5.5
K=7	A=	0.7	1.0	1.3	1.6	1.9	2.3	2.7	3.3	3.8	4.5	5.2