

ANYCLICKSYSTEM



For an easy and quick fitting in any position.

ADJUSTING SYSTEM



Depth adjustment

Acting on the "A" screw it is possible to adjust the distance between the side of the cabinet and the door.



Independent side adjustment

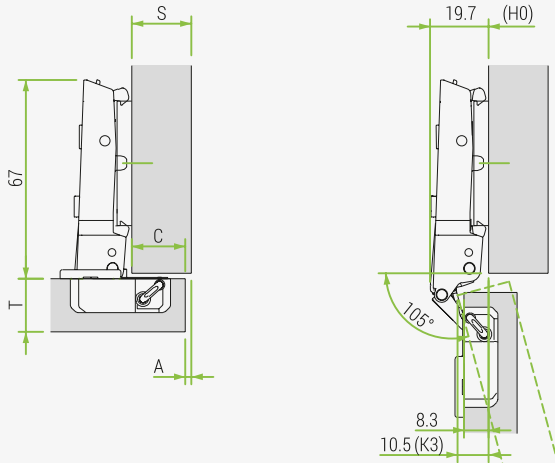
Acting on the "B" screw it is possible to change the amount of the door covering on the side of the cabinet.



Vertical adjustment

Acting on the "C" screw of the mounting plate it is possible to adjust the door vertically.

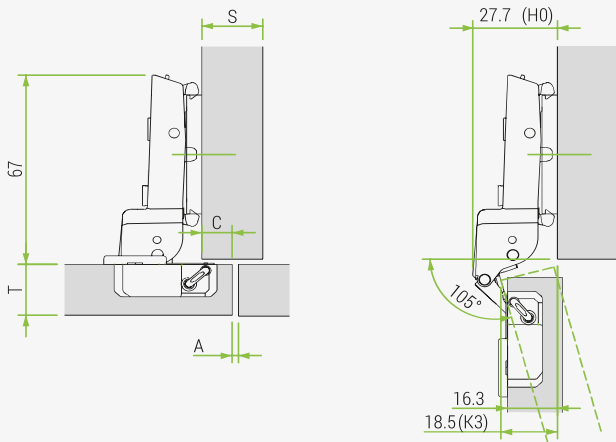
CRANK 0 For lay-on doors



H*	Drilling distance (k)					
	3	4	5	6	7	
Overlay (C) Crank 0	19			0		
	18		0		2	
	17	0		2		
	16	0		2	4	
	15		2		4	
	14	2		4		6
	13		4		6	
	12	4		6		
	11		6			
	10	6				

* = with H between two values get the lower one

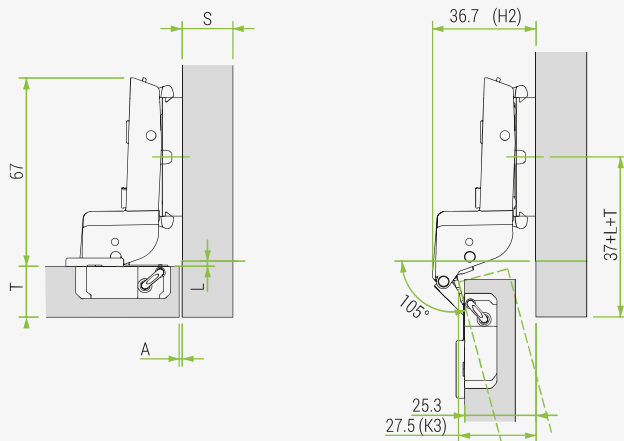
CRANK 8 For partial lay-on doors



H*	Drilling distance (k)					
	3	4	5	6	7	
Overlay (C) Crank 8	11			0		
	10		0		2	
	9	0		2		
	8	0		2	4	
	7		2		4	
	6	2		4		6
	5		4		6	
	4	4		6		
	3		6			
	2	6				

* = with H between two values get the lower one

CRANK 15 For inset doors



H*	Drilling distance (k)					
	3	4	5	6	7	
Overlay (C) Crank 15	1	0		2	4	
	0		2		4	
	-1	2		4	6	
	-2		4		6	
	-3	4		6		
	-4		6			
	-5					
	-6					
	-7					
	-8					

* = with H between two values get the lower one

Table to determinate the minimum distance A so that a door with T thickness can open without protrusion from the cabinet and without interfering with adjacent doors.

T=	14	15	16	17	18	19	20	21	22	23	24	25	26
K=3 A=	0.1	0.2	0.3	0.4	0.5	0.7	0.8	1	1.2	2	3.2	4.5	5.8
K=4 A=	0.1	0.2	0.3	0.4	0.5	0.6	0.8	1	1.2	1.4	2.2	3.5	4.9
K=5 A=	0.1	0.2	0.3	0.3	0.5	0.6	0.8	1	1.2	1.4	1.6	2.5	3.8
K=6 A=	0.1	0.2	0.3	0.3	0.5	0.6	0.8	1	1.2	1.4	1.6	1.9	2.8
K=7 A=	0.1	0.2	0.3	0.3	0.5	0.6	0.8	1	1.2	1.4	1.6	1.9	2.8