

ANGLE 90°

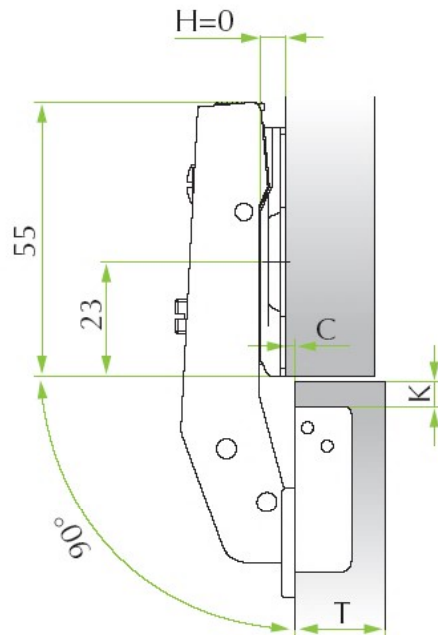


Table to determinate the minimum distance A so that a door with T thickness can open without protrusion from the cabinet and without interfering with adjacent doors.

	T=	16	17	18	19	20	21	22	23	24	25	26
K=3	A=	0.9	1.1	1.5	1.8	2.3	2.8	3.6	4.3	5.2	6.0	6.9
K=4	A=	0.8	1.1	1.4	1.8	2.2	2.7	3.3	4.0	4.7	5.5	6.5
K=5	A=	0.8	1.0	1.3	1.7	2.1	2.5	3.1	3.7	4.4	5.1	5.9
K=6	A=	0.8	1.0	1.3	1.6	2.0	2.4	2.9	3.5	4.1	4.8	5.5
K=7	A=	0.7	1.0	1.3	1.6	1.9	2.3	2.7	3.3	3.8	4.5	5.2